

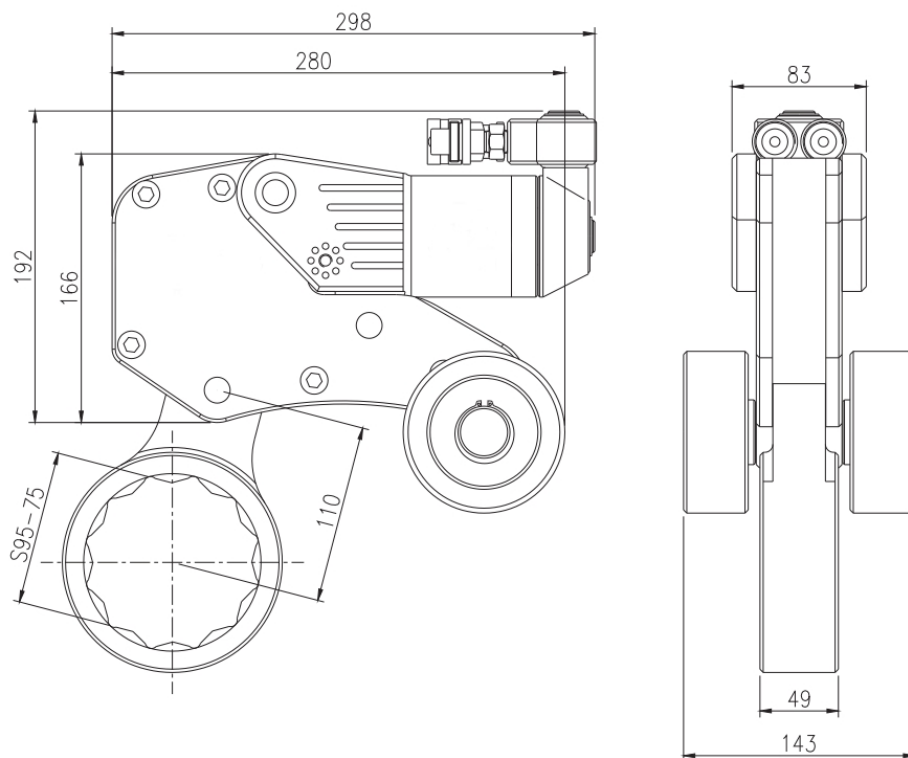


CLCD series - Fork wheel type hydraulic torque wrench



- *It solves the problems of small distance between bolts and pipelines, and limited space in height.
- *Applicable to match normal API flanges.
- *Small head radius, suitable for small space
- *Made of high strength alloy steel, more durable.
- *The power head is interchangeable with KLCD series.
- *Attention: Run the pump as return direction to take wrench down when every cycle is finished, then reposition.
- *This model does not have retaining function.

Dimension



| Model | Max working pressure | Max torque | Nut range |
|-------|----------------------|------------|-----------|
| 8CLCD | 50MPa | 11550Nm | 75-95mm |